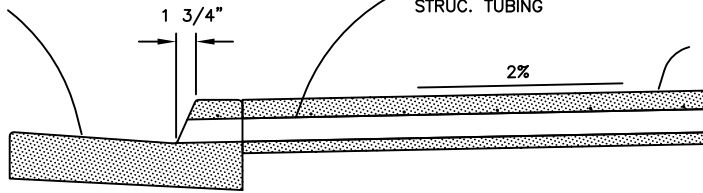


STD. CITY
6" BARRIER
CURB & GUTTER

5"x 3"x 3/16" GALV.
STRUC. TUBING

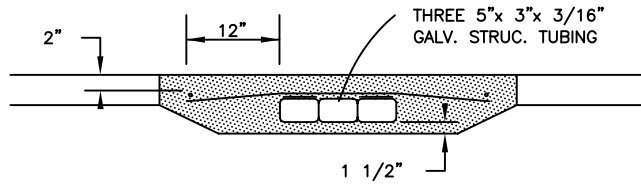
5' CITY SIDEWALK



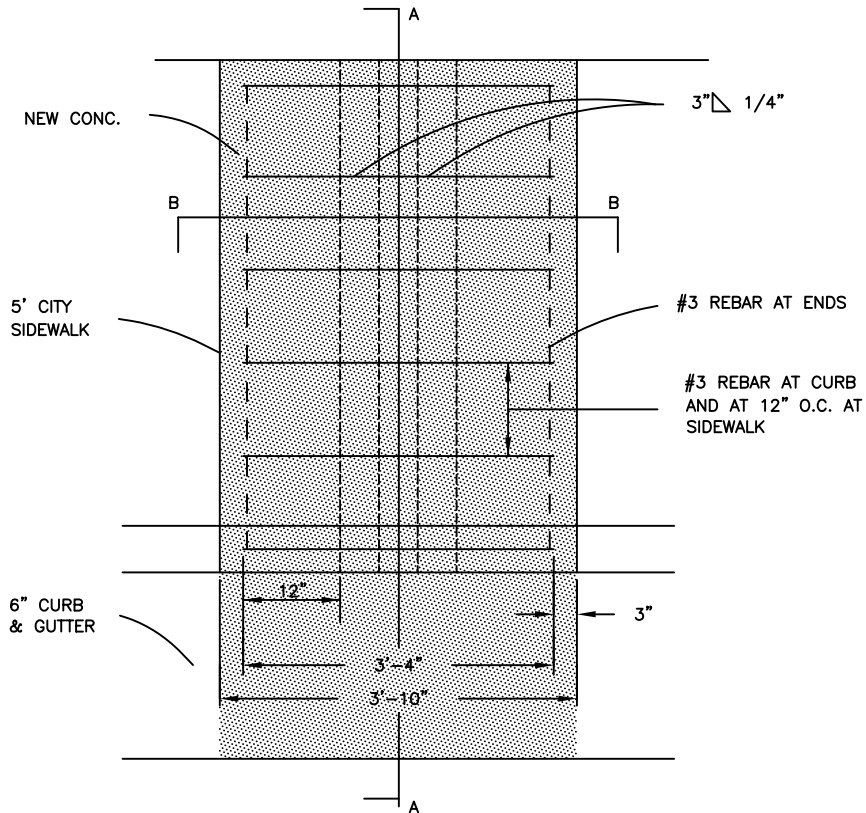
STRUCT. TUBING TO
BE CUT TO FIT CURB
ANGLE. COAT ENDS
W/MIN. 2 COATS
SHERWIN WILLIAMS
"GALVITE" OR EQUAL.

SECTION A-A

NOTE: DRAIN ASSEMBLY SHALL
BE FABRICATED AND HOT
DIP GALVANIZED.



SECTION B-B



PLAN VIEW

UNDER SIDEWALK
DRAIN

DATE	REVISIONS	BY

CITY OF BIGGS	
STANDARD DETAIL	
409	
DAVID L. SWARTZ, P.E. APPROVED	1/97 DATE